

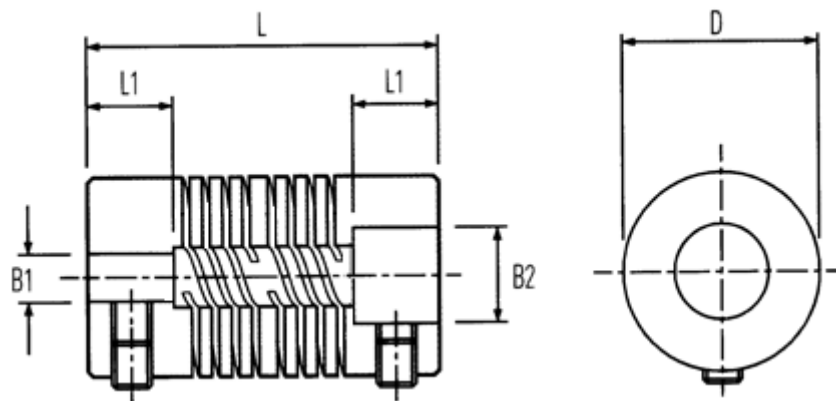
Data Sheet



Article number: 339706320000

Description: Multibeam 6 Coupling 706.32.0000
Aluminium relieved & set screw hubs

Measures



B1: Pre-drilled = 8.0

B2: Pre-drilled = 10.00

D = 31.8

L = 57.2

L1 = 16.0

Max angular displacement = 0.50

Max B1 & B2 = 19.00

Max parallel displacement = 7

Peak Torque NM = 15.00

Set Screw = M6